

Model PL-P1  
(G108)  
PARTS CATALOG

First edition, April 2004

Ricoh Company, LTD.

**Model PL-P1 (G108)**

**PARTS CATALOG**

This catalog gives the numbers and names of parts on this machine.

Model PL-P1	(G108)
Paper Feed Unit Type 1000	(G389)
AD460	(G390)

**Model PL-P1 (G108)**

## Model PL-P1 (G108)

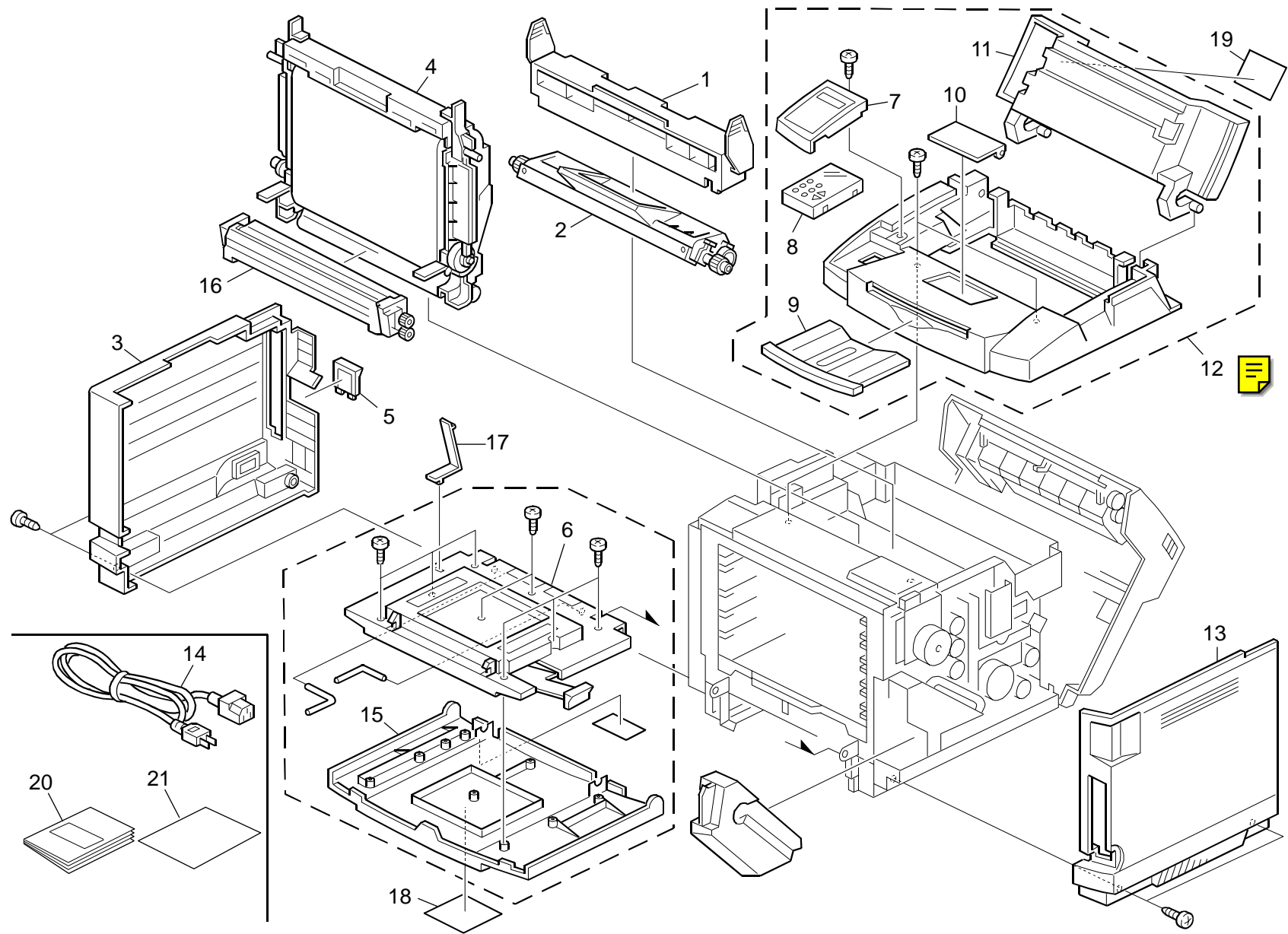
### PARTS CATALOG

This catalog gives the numbers and names of parts on this machine.

1.EXTERIOR (G108) .....	2
2.PAPER CASSETTE (G108) .....	4
3.UNIT GUIDE SECTION (G108).....	6
4.PCU SECTION (G108) .....	8
5.FUSING UNIT 1 (G108) .....	10
6.PAPER EXIT SECTION 1 (G108) .....	12
7.PAPER EXIT SECTION 2 (G108) .....	14
8.DRIVE SECTION (G108) .....	16
9.ELECTRICAL SECTION 1 (G108) .....	18
10.ELECTRICAL SECTION 2 (G108) .....	20
<b>PARTS INDEX.....</b>	<b>23</b>

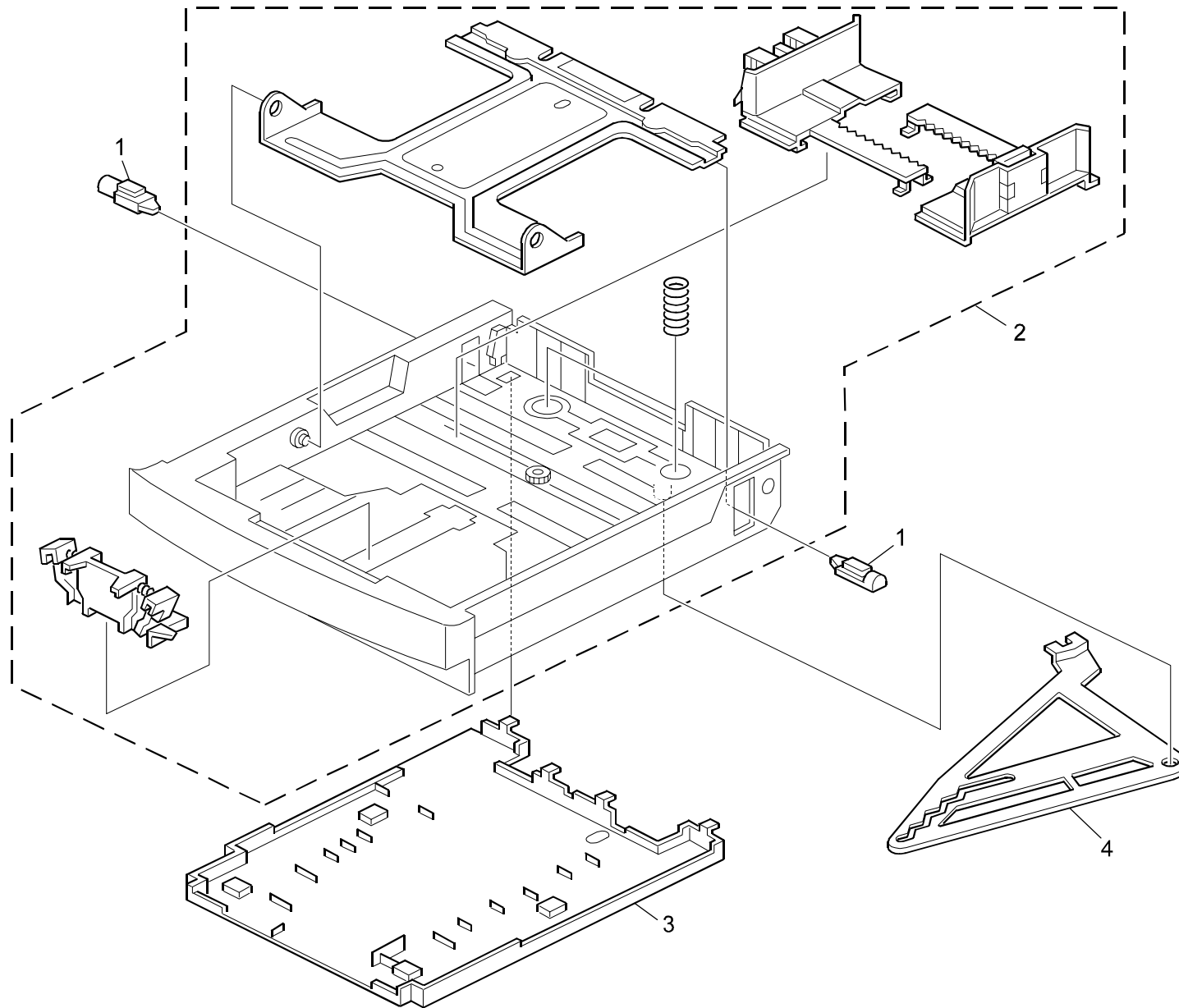
April ,20 ' 2002

# 1.EXTERIOR (G108)





## 2.PAPER CASSETTE (G108)



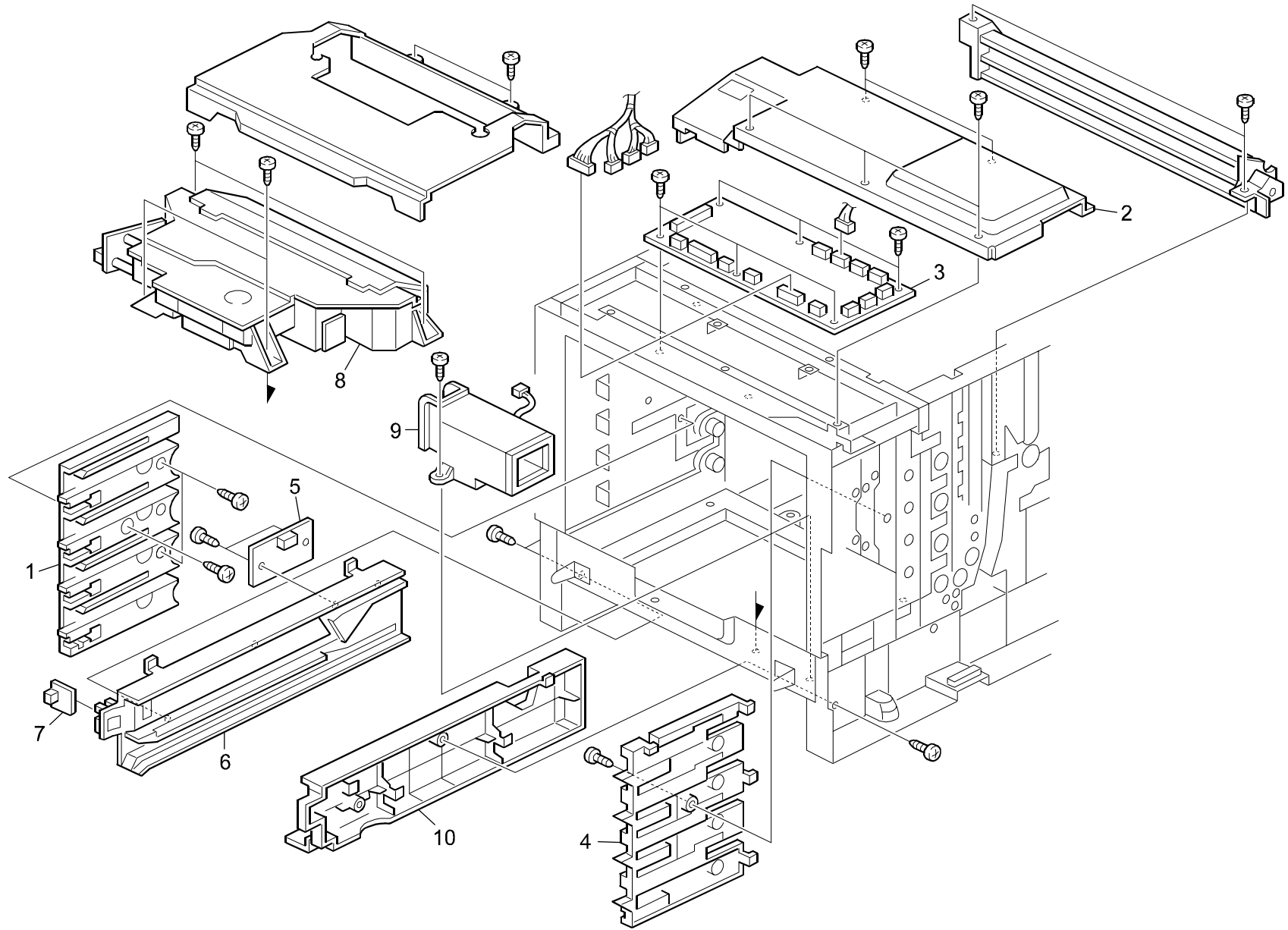
## 2.PAPER CASSETTE (G108)

Index No.	Part No.	Description	Q'ty Per Assembly
*	V128 410	Paper Cassette (A4) PU	1
1	V128 558	Cp Lach Lever	2
2	V128 559	Cp Cassette Base	1
3	V128 555	Cp Back Cover	1
4	V128 556	Cp Size Detect Lever	1


Index No.	Part No.	Description	Q'ty Per Assembly
-----------	----------	-------------	-------------------



### 3.UNIT GUIDE SECTION (G108)

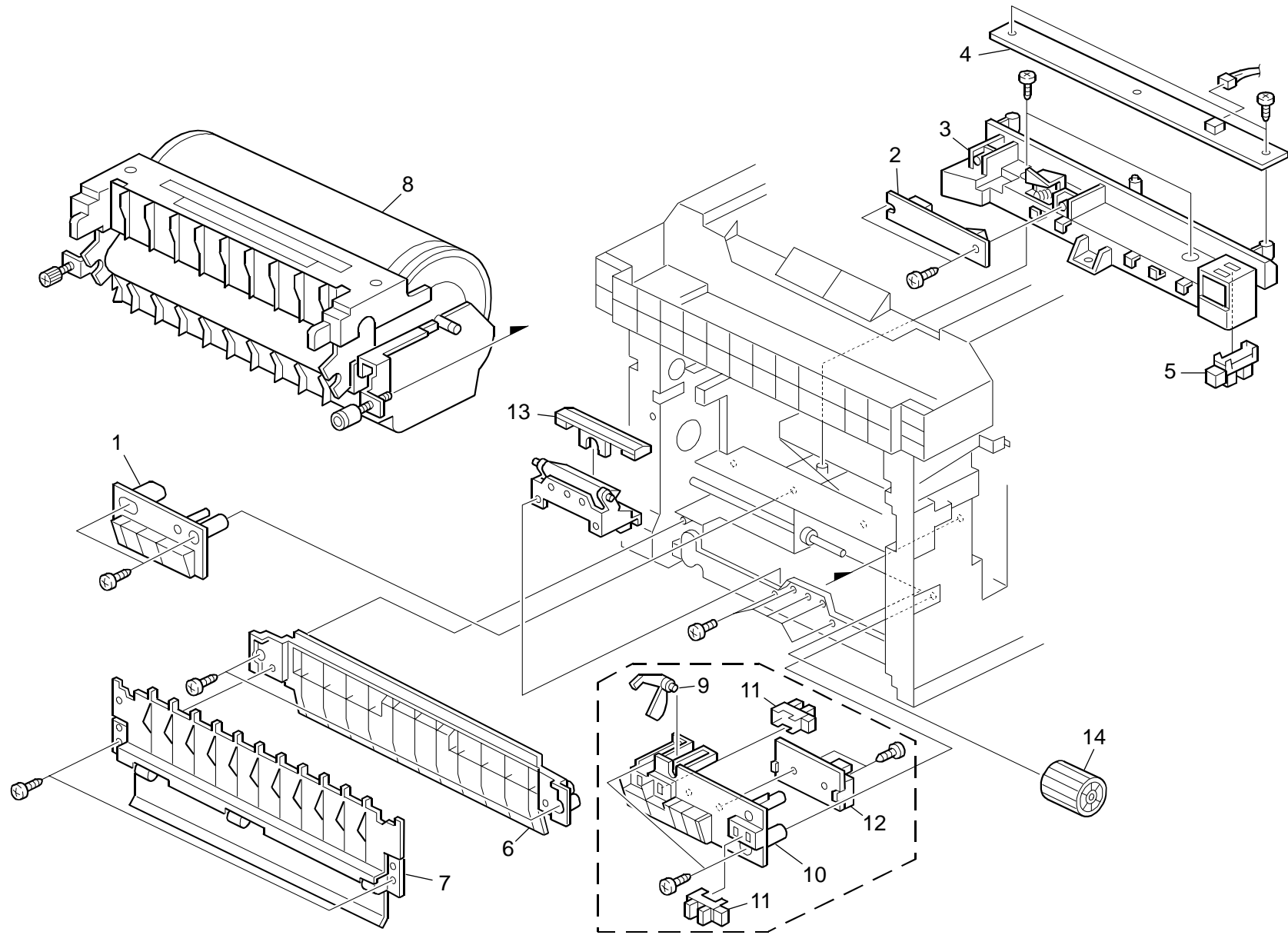


### 3.UNIT GUIDE SECTION (G108)

Index No.	Part No.	Description	Q'ty Per Assembly
1	V128 443	Left Toner Guide PU	1
2	V128 422	I/O Board Cover PU	1
3	V128 421	I/O Board PU	1
4	V128 442	Right Toner Guide PU	1
5	V128 440	Paper Size Sensor PU	1
6	V128 439	Left Tray Guide PU	1
7	V128 441	Room Temp. Thermistor PU	1
8	V128 437	Laser Assy PU	1
9	V128 447	Laser Unit Fan Assy PU	1
10	V128 438	Right Tray Guide PU	1
			

Index No.	Part No.	Description	Q'ty Per Assembly

# 4.PCU SECTION (G108)

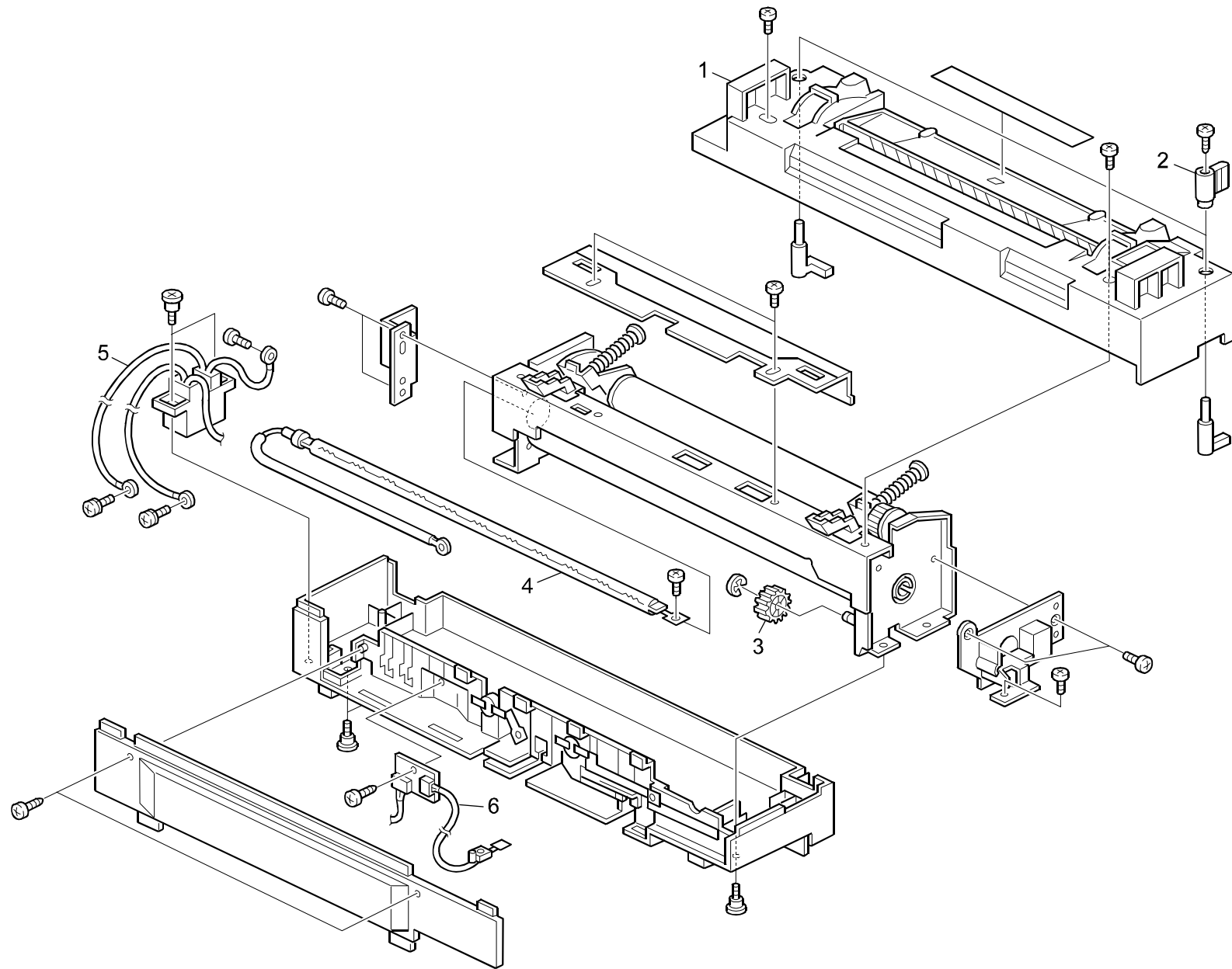


#### 4.PCU SECTION (G108)

Index No.	Part No.	Description	Q'ty Per Assembly
1	V128 470	Paper Guide (D) PU	1
2	V128 471	Toner Density Sensor PU	1
3	V128 472	Sensor Stay Assy PU	1
4	V128 469	Erase Lamp PU	1
5	V126 168	Belt Sensor	1
6	V128 465	Paper Guide (B) PU	1
7	V128 464	Paper Guide (A) PU	1
8	V128 463	Transfer Unit PU	1
9	V128 467	Tray Empty Actuator PU	1
10	V128 466	Paper Guide (C) PU	1
11	V126 167	Paper Sensor	2
12	V128 464	Paper Guide (A) PU	1
13	V128 468	Separator Pad 5 PU	1
14	V126 142	Paper Feeding Roller	1

Index No.	Part No.	Description	Q'ty Per Assembly

## 5.FUSING UNIT 1 (G108)

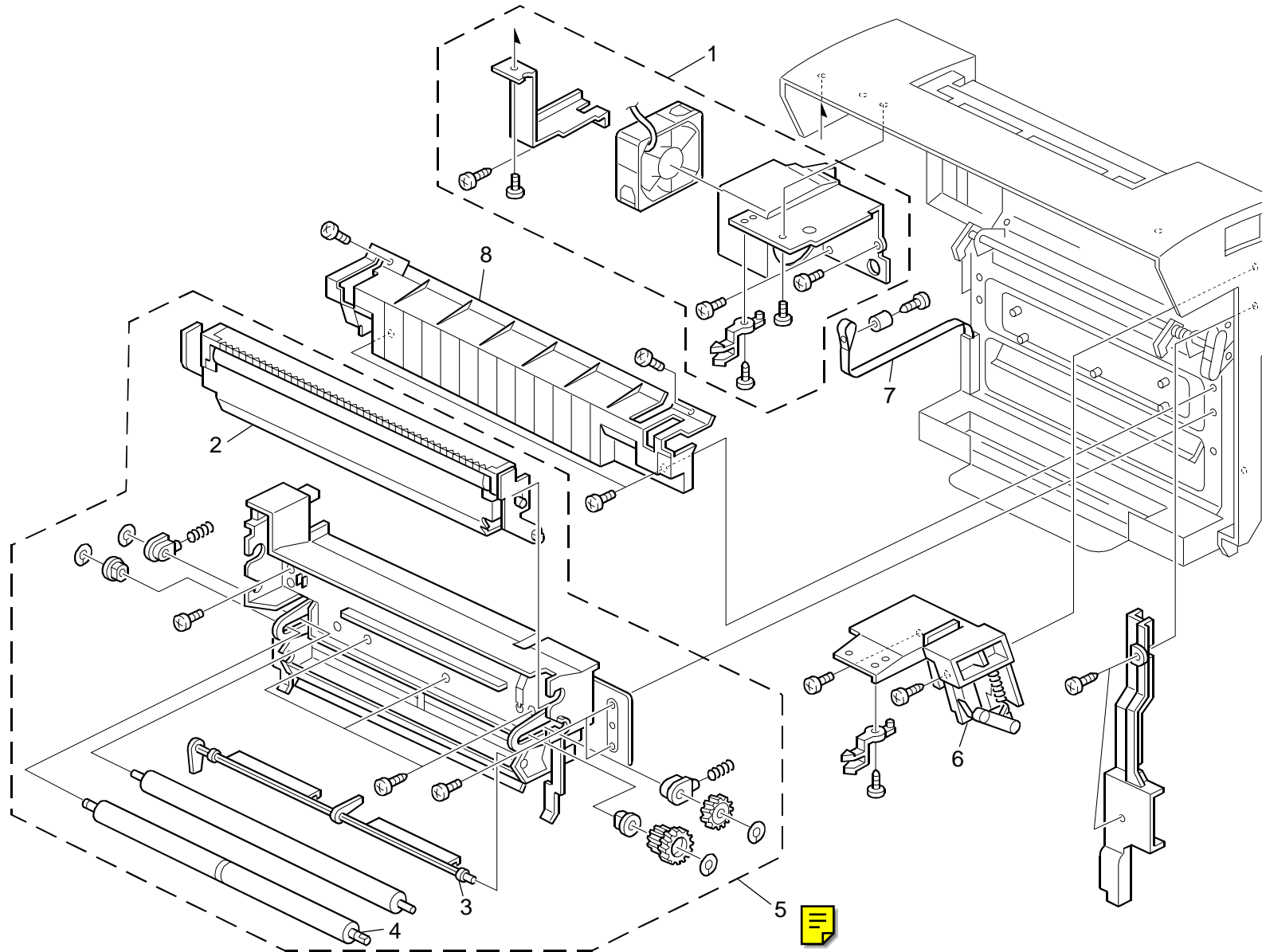


### 5.FUSING UNIT 1 (G108)

Index No.	Part No.	Description	Q'ty Per Assembly
*	V128 405	Fusing Unit (110V) PU	1
*	V128 406	Fusing Unit (220V) PU	1
1	V128 606	Top Fuser Cover FU	1
2	V128 480	Lock Knob Kit FU	1
3	V128 481	Idle Gearz20 FU	1
4	V128 473	Fuser Lamp (110 V) FU	1
4	V128 474	Fuser Lamp (220 V) FU	1
5	V128 477	Fuser Connector (110V) FU	1
5	V128 478	Fuser Connector (220V) FU	1
6	V128 479	Thermistor Assy FU	1

Index No.	Part No.	Description	Q'ty Per Assembly

## 6.PAPER EXIT SECTION 1 (G108)



## 6.PAPER EXIT SECTION 1 (G108)

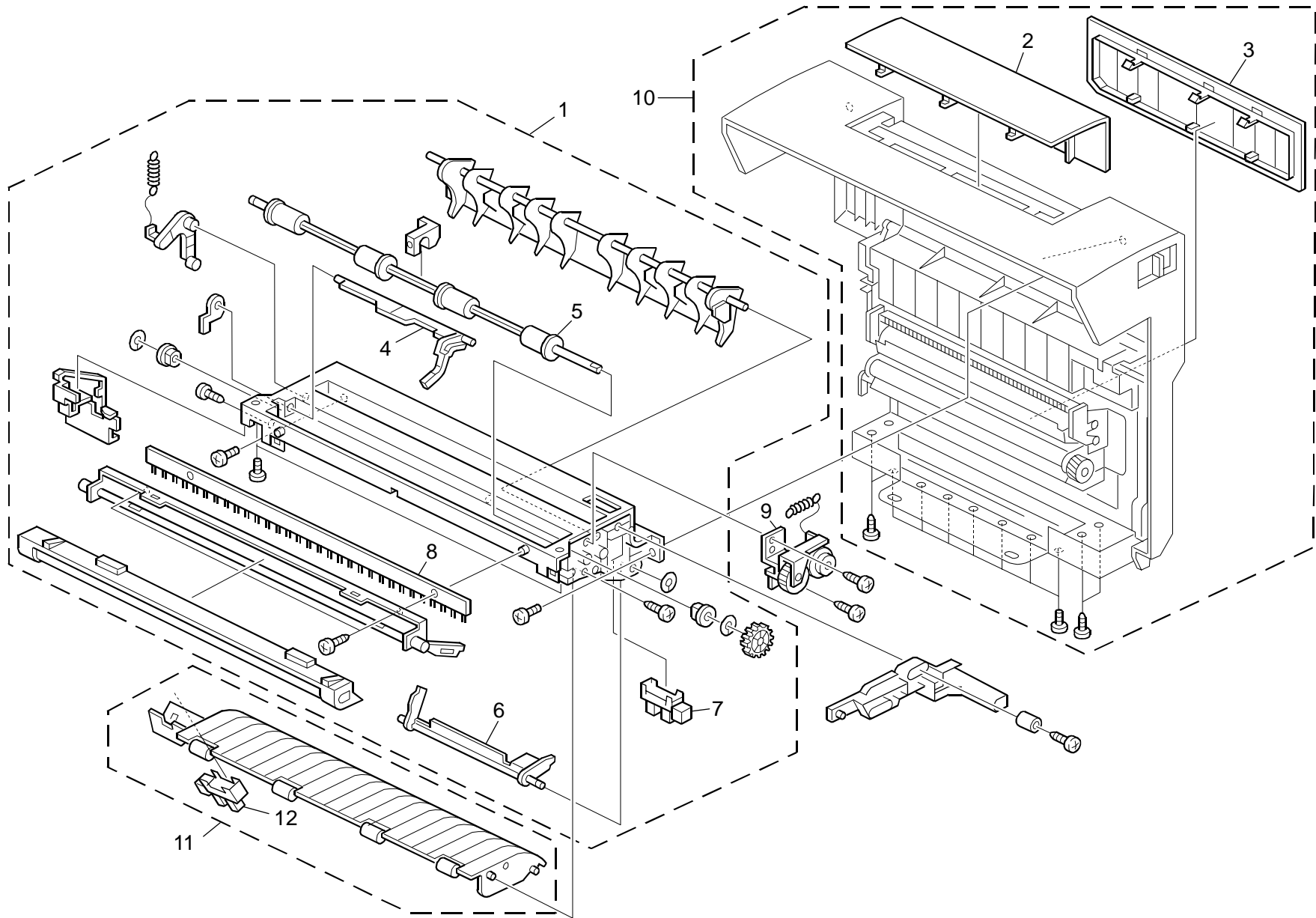
Index No.	Part No.	Description	Q'ty Per Assembly
1	V128 493	Exit Fan Assy PU	1
2	V128 488	Transfer Roller Assy PU	1
3	V128 486	Registration Actuator PU	1
4	V128 611	Transfer Base Assy PU	1
5	V128 487	Registration Roller Assy PU	1
6	V128 496	Rear Cover Latch Assy PU	1
7	V128 498	Tr Unit Band	1
8	V128 495	Transfer Roller Guide PU	1



Index No.	Part No.	Description	Q'ty Per Assembly



## 7.PAPER EXIT SECTION 2 (G108)

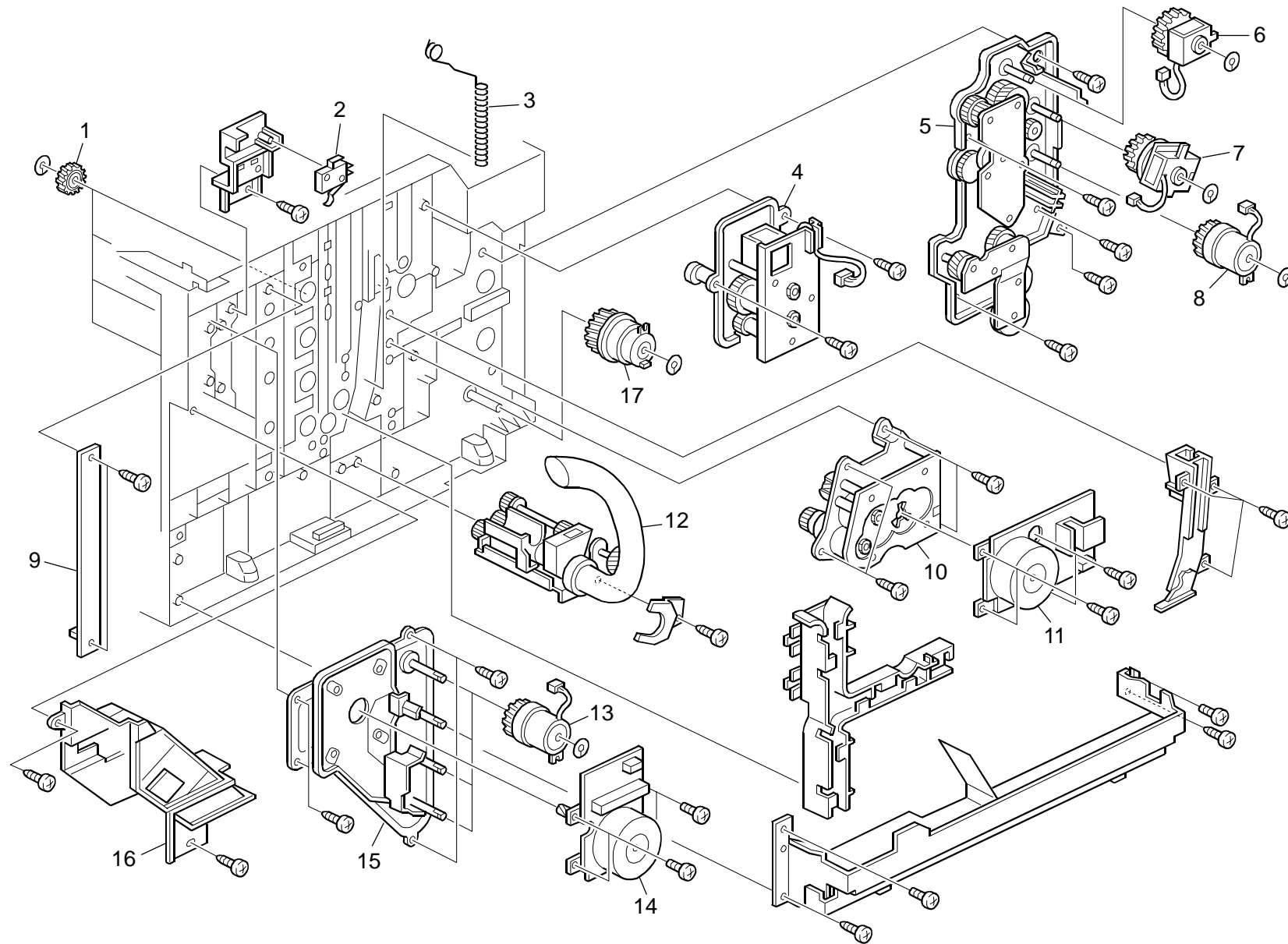


## 7.PAPER EXIT SECTION 2 (G108)

Index No.	Part No.	Description	Q'ty Per Assembly
1	V128 489	Exit Guide Assy PU	1
2	V128 483	Upper Duplex Cover PU	1
3	V128 484	Lower Duplex Cover PU	1
4	V128 497	Paper Exit Actuator PU	1
5	V128 490	Exit Roller Assy PU	1
6	V128 491	Fuser Exit Actuator PU	1
7	V126 648	Ohp Sensor 3	1
8	V123 842	Discharging Brush	1
9	V128 494	Exit Drive Assy PU	1
10	V128 482	Rear Cover Assy PU	1
11	V128 492	Exit Idle Roller Assy PU	1
12	V126 167	Paper Sensor	1

Index No.	Part No.	Description	Q'ty Per Assembly

## 8.DRIVE SECTION (G108)

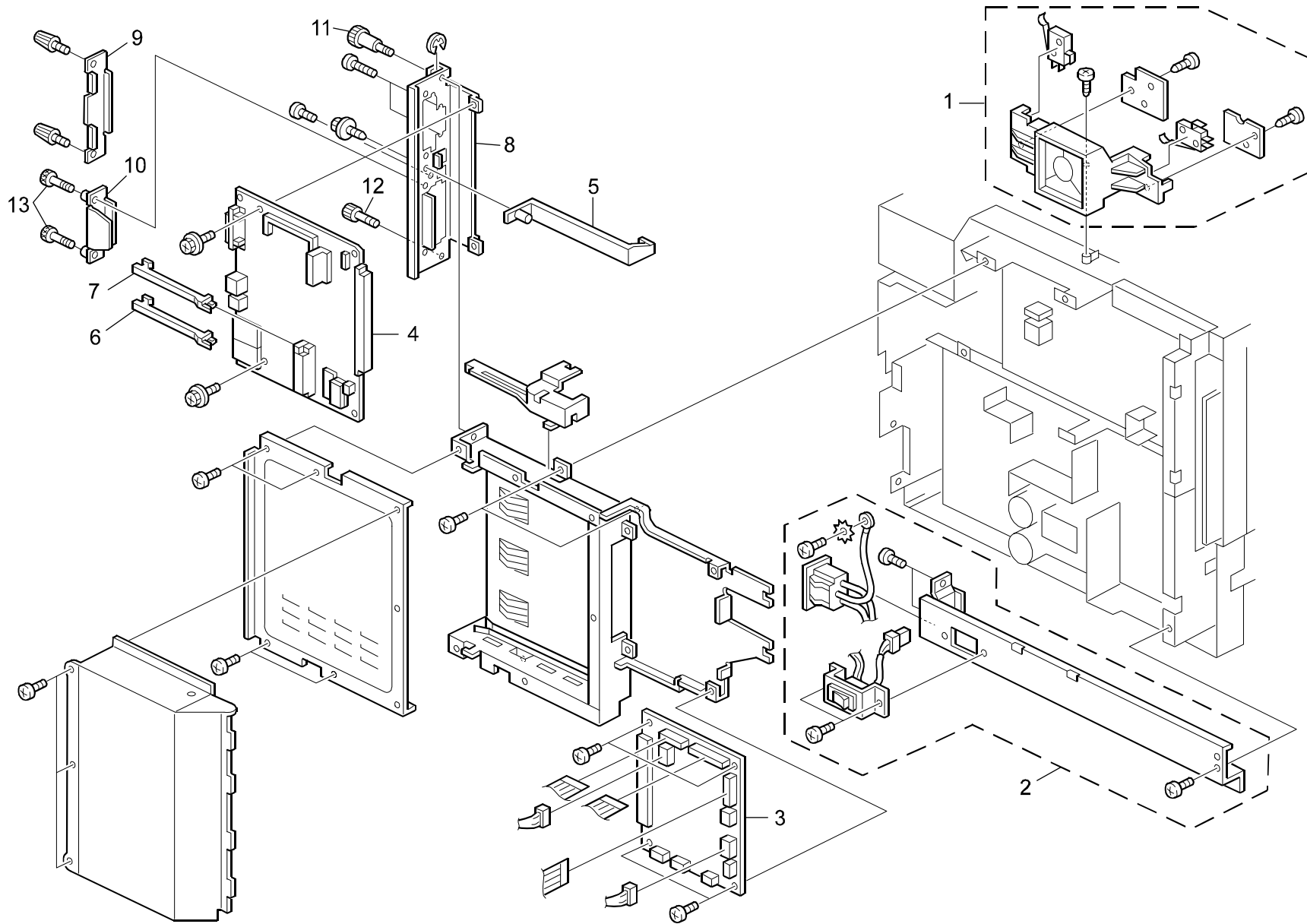


## 8.DRIVE SECTION (G108)

Index No.	Part No.	Description	Q'ty Per Assembly
1	V128 433	Developer Gear PU	4
2	V128 436	Interlock Switch PU	1
3	V128 446	Waste Toner Agitator PU	1
4	V128 428	Cleaning Roller Clutch PU	1
5	V128 429	Main Drive Gear Assy PU	1
6	V128 427	Fuser Clutch PU	1
7	V126 639	Tr Cam Clutch 3	1
8	V128 426	Registration Clutch PU	1
9	V128 448	F Switch Base PU	1
10	V128 424	OPC Drive Gear Assy PU	1
11	V128 423	Main Motor PU	1
12	V128 430	Waste Toner Feeder PU	1
13	V128 434	Developer Clutch PU	4
14	V128 431	Developer Motor PU	1
15	V128 432	Developer Drive Assy PU	1
16	V128 435	Waste Toner Holder Assy PU	1
17	V128 425	Paper Feed Clutch PU	1

Index No.	Part No.	Description	Q'ty Per Assembly

# 9.ELECTRICAL SECTION 1 (G108)

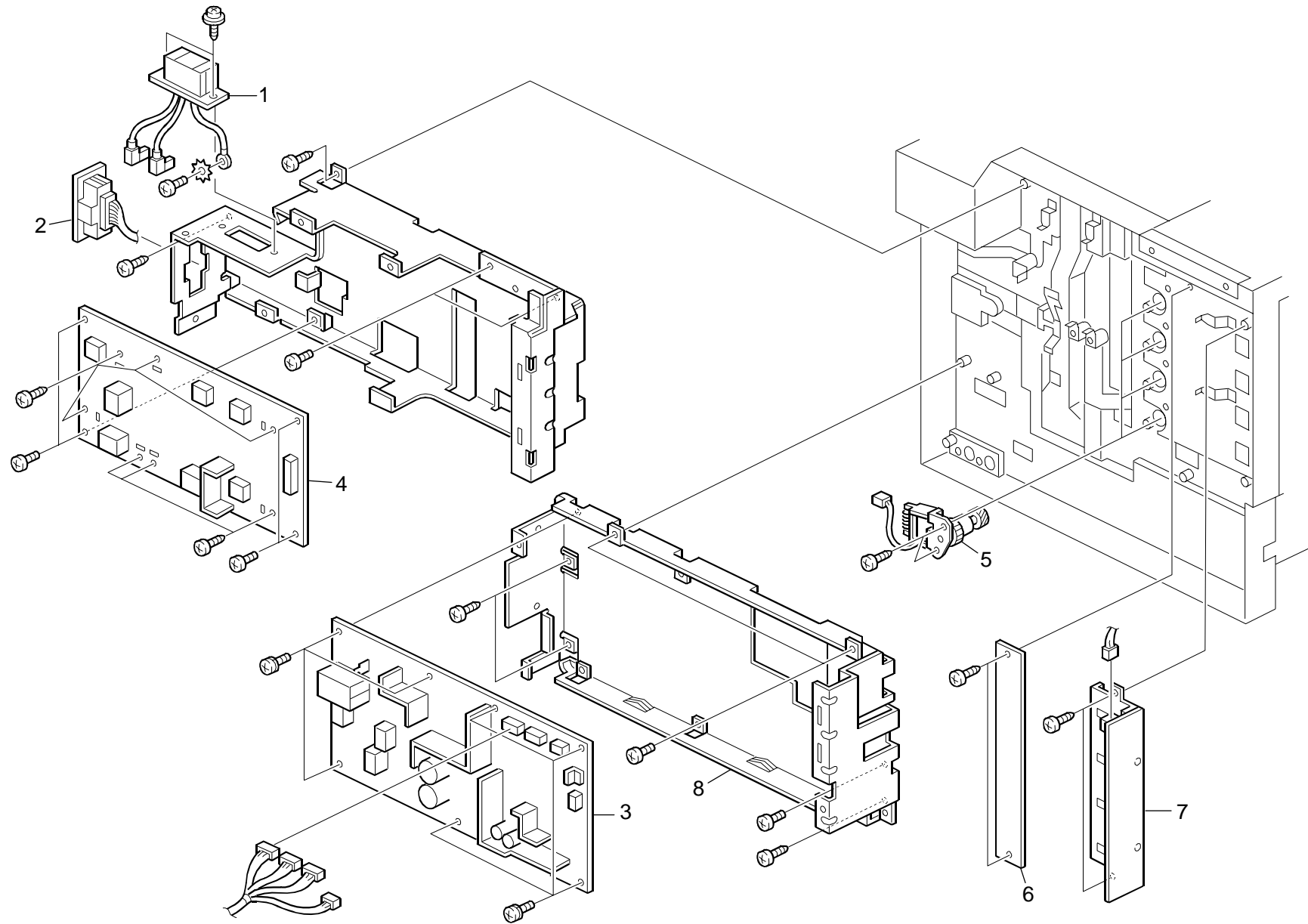


## 9.ELECTRICAL SECTION 1 (G108)

Index No.	Part No.	Description	Q'ty Per Assembly
1	V128 456	Power Supply Fan Assy PU	1
2	V128 612	Power Supply Bracket (110V) PU	1
3	V128 450	Engine Controller Board PU	1
4	G108 5217	PCB - Pluto-p1 RAM EXP	1
5	G108 5106	Slide Rail - HDD	1
6	G108 5107	Left Guide 1	1
7	G108 5108	Right Guide 1	1
8	G108 5100	Drum Stay - Control Board Ass'y	1
9	G056 6005	HDD Cover	1
10	B070 6895	Panel:Interface	1
11	G108 5103	Knob Screw - Drum Stay Upper	1
12	G108 5104	Knob Screw - Drum Stay Lower	1
13	B070 6898	Knob Screw:Panel	2

Index No.	Part No.	Description	Q'ty Per Assembly

# 10.ELECTRICAL SECTION 2 (G108)



## 10.ELECTRICAL SECTION 2 (G108)

Index No.	Part No.	Description	Q'ty Per Assembly
1	V128 457	Fuser Connector (110V) PU	1
1	V128 458	Fuser Connector (220V) PU	1
2	V128 462	Dup Connector	1
3	V128 452	Lv Power Supply (110 V) PU	1
3	V128 453	Lv Power Supply (220 V) PU	1
4	V128 451	Hv Power Supply PU	1
5	V128 459	Toner Retract Solenoid PU	4
5	V128 460	Toner Retract Cam PU	4
6	V126 169	Toner Sensor Assy	1
7	V128 461	Toner Present Sensor PU	1
8	V128 612	Power Supply Bracket (110V) PU	1
8	V128 613	Power Supply Bracket (220V) PU	1

Index No.	Part No.	Description	Q'ty Per Assembly



# Parts Index

## Parts Index

Part No.	Description	Page and Index No.
G108 5100	Drum Stay - Control Board Ass'y	19 - 8
G108 5103	Knob Screw - Drum Stay Upper	19 - 11
G108 5104	Knob Screw - Drum Stay Lower	19 - 12
G108 5106	Slide Rail - HDD	19 - 5
G108 5107	Left Guide 1	19 - 6
G108 5108	Right Guide 1	19 - 7
G108 5217	PCB - Pluto-p1 RAM EXP	19 - 4
G108 7001	Decal - Emblem Ricoh EXP	3 - 18
G108 7002	Decal:Emblem:NRG:GES	3 - 18
G108 7003	Decal:Emblem:NRG:NAS	3 - 18
G108 7004	Decal:Emblem:NRG:REX	3 - 18
G108 7022	Sheet:Color_chart:EXP	3 - 21
G108 8607	Manual:Introduction:Eng	3 - 20
G108 8608	Manual:Setup:Easy:Eng	3 - 20
G108 8611	Manual:Maintenance:Eng	3 - 20
G108 8614	Manual:Option:Eng	3 - 20

Part No.	Description	Page and Index No.
B070 6895	Panel:Interface	19 - 10
B070 6898	Knob Screw:Panel	19 - 13
G056 6005	HDD Cover	19 - 9

Part No.	Description	Page and Index No.
V123 842	Discharging Brush	15 - 8
V126 142	Paper Feeding Roller	9 - 14
V126 167	Paper Sensor	9 - 11
V126 167	Paper Sensor	15 - 12
V126 168	Belt Sensor	9 - 5
V126 169	Toner Sensor Assy	21 - 6
V126 639	Tr Cam Clutch 3	17 - 7
V126 648	Ohp Sensor 3	15 - 7
V128 403	OPC Charger Roller PU	3 - 4
V128 404	Cleaning Roller PU	3 - 2
V128 405	Fusing Unit (110V) PU	11 - *
V128 406	Fusing Unit (220V PU	11 - *
V128 408	Cleaning Roller Cover PU	3 - 1
V128 409	Power Cord (110 V) PU	3 - 14
V128 410	Paper Cassette (A4) PU	5 - *
V128 411	Top Cover Assy PU	3 - 12
V128 412	Top Cover PU	3 - 11
V128 413	OP Panel	3 - 8
V128 414	OP Panel Cover	3 - 7
V128 415	Paper Tray PU	3 - 9
V128 416	Slope PU	3 - 10
V128 417	Right Side Cover PU	3 - 13
V128 418	Left Side Cover PU	3 - 3
V128 419	Inner Front Cover PU	3 - 6
V128 420	Front Cover PU	3 - 15
V128 421	I/O Board PU	7 - 3
V128 422	I/O Board Cover PU	7 - 2
V128 423	Main Motor PU	17 - 11
V128 424	OPC Drive Gear Assy PU	17 - 10
V128 425	Paper Feed Clutch PU	17 - 17
V128 426	Registration Clutch PU	17 - 8
V128 427	Fuser Clutch PU	17 - 6
V128 428	Cleaning Roller Clutch PU	17 - 4
V128 429	Main Drive Gear Assy PU	17 - 5
V128 430	Waste Toner Feeder PU	17 - 12

Part No.	Description	Page and Index No.
V128 431	Developer Motor PU	17 - 14
V128 432	Developer Drive Assy PU	17 - 15
V128 433	Developer Gear PU	17 - 1
V128 434	Developer Clutch PU	17 - 13
V128 435	Waste Toner Holder Assy PU	17 - 16
V128 436	Interlock Switch PU	17 - 2
V128 437	Laser Assy PU	7 - 8
V128 438	Right Tray Guide PU	7 - 10
V128 439	Left Tray Guide PU	7 - 6
V128 440	Paper Size Sensor PU	7 - 5
V128 441	Room Temp. Thermistor PU	7 - 7
V128 442	Right Toner Guide PU	7 - 4
V128 443	Left Toner Guide PU	7 - 1
V128 444	Waste Toner Auger PU	3 - 16
V128 445	Duplex Connector Cover PU	3 - 5
V128 446	Waste Toner Agitator PU	17 - 3
V128 447	Laser Unit Fan Assy PU	7 - 9
V128 448	F Switch Base PU	17 - 9
V128 449	Front Band PU	3 - 17
V128 450	Engine Controller Board PU	19 - 3
V128 451	Hv Power Supply PU	21 - 4
V128 452	Lv Power Supply (110 V) PU	21 - 3
V128 453	Lv Power Supply (220 V) PU	21 - 3
V128 456	Power Supply Fan Assy PU	19 - 1
V128 457	Fuser Connector (110V) PU	21 - 1
V128 458	Fuser Connector (220V) PU	21 - 1
V128 459	Toner Retract Solenoid PU	21 - 5
V128 460	Toner Retract Cam PU	21 - 5
V128 461	Toner Present Sensor PU	21 - 7
V128 462	Dup Connector	21 - 2
V128 463	Transfer Unit PU	9 - 8
V128 464	Paper Guide (A) PU	9 - 12
V128 464	Paper Guide (A) PU	9 - 7
V128 465	Paper Guide (B) PU	9 - 6
V128 466	Paper Guide (C) PU	9 - 10

Part No.	Description	Page and Index No.
V128 467	Tray Empty Actuator PU	9 - 9
V128 468	Separator Pad 5 PU	9 - 13
V128 469	Erase Lamp PU	9 - 4
V128 470	Paper Guide (D) PU	9 - 1
V128 471	Toner Density Sensor PU	9 - 2
V128 472	Sensor Stay Assy PU	9 - 3
V128 473	Fuser Lamp (110 V) FU	11 - 4
V128 474	Fuser Lamp (220 V) FU	11 - 4
V128 477	Fuser Connector (110V) FU	11 - 5
V128 478	Fuser Connector (220V) FU	11 - 5
V128 479	Thermistor Assy FU	11 - 6
V128 480	Lock Knob Kit FU	11 - 2
V128 481	Idle Gearz20 FU	11 - 3
V128 482	Rear Cover Assy PU	15 - 10
V128 483	Upper Duplex Cover PU	15 - 2
V128 484	Lower Duplex Cover PU	15 - 3
V128 486	Registration Actuator PU	13 - 3
V128 487	Registration Roller Assy PU	13 - 5
V128 488	Transfer Roller Assy PU	13 - 2
V128 489	Exit Guide Assy PU	15 - 1
V128 490	Exit Roller Assy PU	15 - 5
V128 491	Fuser Exit Actuator PU	15 - 6
V128 492	Exit Idle Roller Assy PU	15 - 11
V128 493	Exit Fan Assy PU	13 - 1
V128 494	Exit Drive Assy PU	15 - 9
V128 495	Transfer Roller Guide PU	13 - 8
V128 496	Rear Cover Latch Assy PU	13 - 6
V128 497	Paper Exit Actuator PU	15 - 4
V128 498	Tr Unit Band	13 - 7
V128 555	Cp Back Cover	5 - 3
V128 556	Cp Size Detect Lever	5 - 4
V128 558	Cp Lach Lever	5 - 1
V128 559	Cp Cassette Base	5 - 2
V128 606	Top Fuser Cover FU	11 - 1
V128 611	Transfer Base Assy PU	13 - 4

Part No.	Description	Page and Index No.
V128 612	Power Supply Bracket (110V) PU	19 - 2
V128 612	Power Supply Bracket (110V) PU	21 - 8
V128 613	Power Supply Bracket (220V) PU	21 - 8

Part No.	Description	Page and Index No.
GA00 3038	Decal - Inkjet Paper Caution	3 - 19

Part No.	Description	Page and Index No.